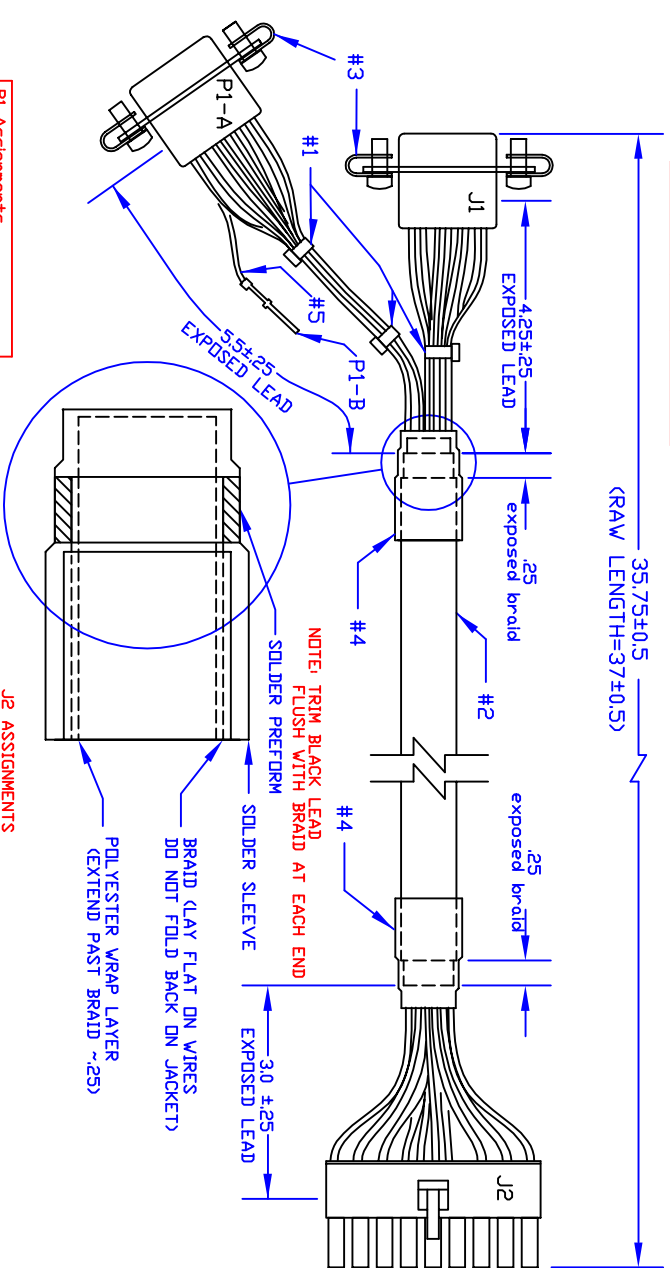


J1 Assignments		
COLDR	PIN	SIGNAL
WHT/GRN	1	GND
WHT/BLK	2	+LIMIT
WHT/RED	3	MOVEDONE
WHT/VID	4	GND
WHT/DRN	5	ENABLE
WHT	7	-LIMIT
WHT/BRN	8	READ~
WHT/YEL	9	MODE
WHT/BLU	10	STEP
GRN (SHLD)	11	CHASSIS
RED	12	+5V OUT
WHT/GRY	15	DIR



P1 Assignments		
COLDR	PIN	SIGNAL
YEL	3	A
DRN	4	A~
BRN	8	B
BLU	9	B~
VID	12	I
GRY	13	I~
GRN	5	GND
WHT JMPR	11	ENC SEL

SIGNAL	COLDR
+LIMIT	WHT/BLK
ENC A	YEL
ENC B	DRN
ENC I	BRN
+5V In	VID
MODE	RED
NO CONNECT	WHT/YEL
READY~	NC
STEP	WHT/BRN
	WHT/BLU

J2 ASSIGNMENTS		
COLDR	10	1
WHT/BLK	10	1
YEL	11	2
DRN	12	3
BRN	13	4
VID	14	5
RED	15	6
WHT/YEL	16	7
NC	17	8
WHT/BRN	18	9
WHT/BLU	18	9

REV	DESCRIPTION/ECD NO.	DATE
G	ADDED TERMINAL 39-00-0055 TD ITEM J2-B	1/1/00
H	ADD +5V I/D CONNECTION AND ADDITIONAL TERMINALS	8/1/02
I	UPDATE TERMINALS	2/23/04

NOTES:
ALL CABLES TO BE INDIVIDUALLY BAGGED
AND LABELED AS FOLLOWS:
"TG-DCC CABLE"
"1100980 REV I(CURRENT REV)"

BILL OF MATERIALS

5	15'	JMPR WIRE, 24AVG, WHT	BEI/DEV/9984-9 DR EQ.
4	1	SOLDER SLEEVE TERMINATION WITH ATTACHED LEAD	RAY/CHEN/CVT-9-VI-22-5
3	2	RETAINING SCREW KIT	AMP/205980-1 DR AMP/205980-4
2	36'	CABLE, 19 COND, 24AVG, PVC/PVC BRAID SHLD	NAT'L WIRE/NOI924-SJ
1	3	CABLE TIE, 4', BLK	RICHGDU/WIT-18R-B DR EQ.
J2-B	2	TERMINAL, SOCKET, MINIFIT 18-24 AVG	MOLEX/39-00-0038 DR MOLEX/39-00-0039
J2-A	15	TERMINAL, SOCKET, MINIFIT 22-28 AVG	MOLEX/39-00-0046 DR MOLEX/39-00-0047
J2	1	HOUSING, MINIFIT 18, RECP	MOLEX/39-01-2180
J1	12	TERMINAL, SOCKET, HDP-22 22-28 AVG	AMP/748610-5 DR AMP/748610-7
J1	1	HOUSING, HDB15, RECP	AMP/748655-1
P1-B	9	TERMINAL, PIN, HDP-22 22-28 AVG	AMP/748333-5 DR AMP/748333-7
P1-A	1	HOUSING, HDB15, PLUG	AMP/748364-1

TOLERANCES UNLESS OTHERWISE SPECIFIED: ANGULAR ± 1° LINEAR ± .020

DATE: 2/17/99 SCALE: NONE DRAWN BY: DRL MATERIAL: see BDM FINISH: N/A

WIRE END VIEW

Teknic, Inc.

DESCRIPTION: CABLE, TG-SST (CONTROLLER)

FILENAME: TG-DCC-rev1.DWG DWGNO: 1100980 REV: I