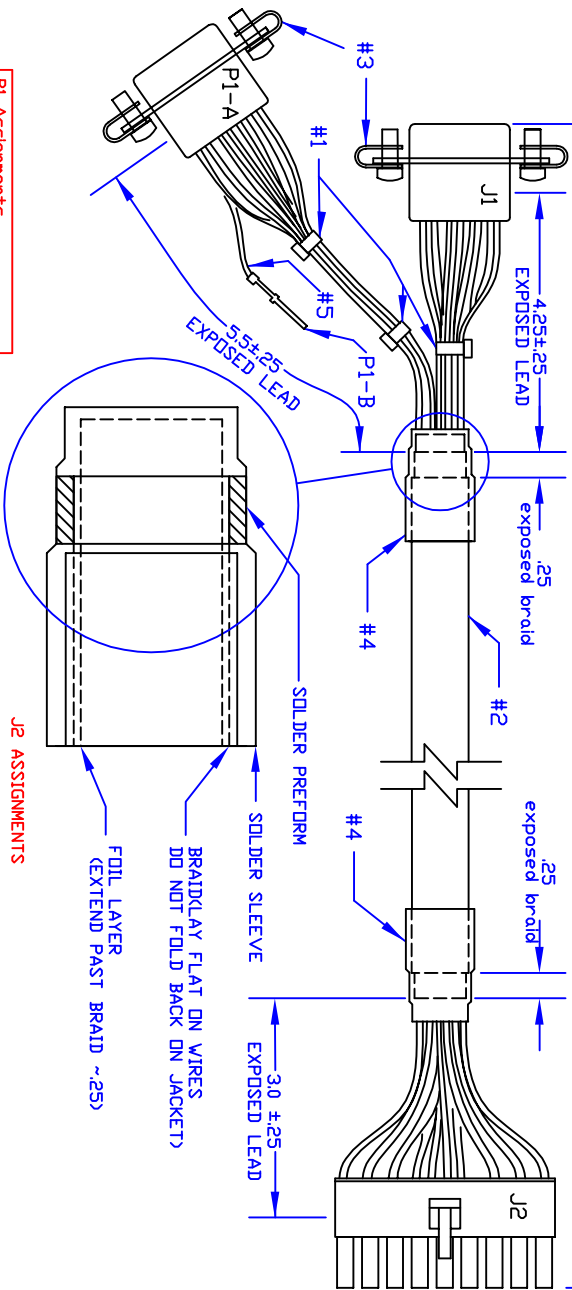


J1 Assignments		
COLOR	PIN	SIGNAL
GRN/RED	2	+LIMIT
GRY/WHT	3	MOVEDONE
RED/BLU	5	ENABLE
RED/GRN	7	-LIMIT
BLU/RED	8	READY~
WHT/GRY	9	MODE
GRN/WHT	10	STEP
BRN/WHT	15	DIR
WHT/BRN	1	GND
WHT/GRN	4	GND
SHIELD	11	CHASSIS

<CAMR WIRE, FROM SOLDER SLEEVE>

121±15  
<RAW CABLE LENGTH = 122.25 ±1.5>



P1 Assignments		
COLOR	PIN	SIGNAL
DRN/RED	3	A
RED/DRN	4	A~
BLU/WHT	8	B
WHT/BLU	9	B~
WHT/DRN	12	1
DRN/WHT	13	1~
WHT/JMFR	11	ENC SEL

SIGNAL	COLOR
+LIMIT	GRN/RED
ENC A	DRN/RED
ENC B	BLU/WHT
ENC 1	WHT/DRN
NO CONNECT	NC
MODE	WHT/GRY
NO CONNECT	NC
READY~	BLU/RED
STEP	GRN/WHT

J2 ASSIGNMENTS		
COLOR	PIN	SIGNAL
RED/GRN	10	-LIMIT
RED/DRN	11	ENC A~
WHT/BLU	12	ENC B~
DRN/WHT	13	ENC 1~
WHT/BRN-SHIELD	14	GND
WHT/GRN	15	GND
GRY/WHT	16	MOVEDONE
RED/BLU	17	ENABLE
BRN/WHT	18	DIR
BRN/WHT	9	DIR

WIRE END VIEW

<SHIELD IS JMFR WIRE, FROM SOLDER SLEEVE>

REV.	DESCRIPTION/ECD NO.	DATE
G	ADDED TERMINAL CORRECTED WIRE COLORS (3 PLCS)	1/6/00
H	ITEM 4 QTY WAS 1 ADDED NOTES FOR USE OF SOLDER SLEEVE	1/2/01
I	UPDATE TERMINALS	2/23/04

BILL OF MATERIALS

5	15'	JMFR WIRE, 24AVG, WHT	BELDEN/9964-9 DR EQ.
4	2	SOLDER SLEEVE TERMINATION WITH ATTACHED LEAD	RAYCHEM/CVT-9-WI-22-S
3	2	RETAINING SCREW KIT	AMP/205980-1 DR AMP/205980-4
2	124'	CABLE, 16 COND, 24AVG, DATA/ENE/PVC FOIL SHLD	BELDEN/8108
1	3	CABLE TIE, 4' BLK	RICHOD/WIT-18R-B DR EQ.
J2-B	1	TERMINAL, SOCKET, MINIFIT 24-18AVG	MOLEX/39-00-0038 DR MOLEX/39-00-0039 DR
J2-A	16	TERMINAL, SOCKET, MINIFIT 28-22AVG	MOLEX/39-00-0046 DR MOLEX/39-00-0047 DR
J2	1	HOUSING, MINIFIT 18, RECP	MOLEX/39-01-2180
J1	11	TERMINAL, SOCKET HDP-22, 22-28 AVG	AMP/748610-5 DR AMP/748610-7
J1	1	HOUSING, HDR15, RECEPT	AMP/748565-1
P1-B	9	HDP-22, 22-28 AVG	AMP/748333-5 DR AMP/748333-7
P1-A	1	HOUSING, HDR15, PLUG	AMP/748364-1

CABLE, TG-DCC120

Teknic, Inc.  
1150-E PITTSFORD-VICTOR ROAD  
PITTSFORD, NY 14534

ALL DIMENSIONS IN INCHES	MATERIAL	FINISH	TOLERANCES UNLESS OTHERWISE SPECIFIED ARE:	SCALE	DRAWN BY	DATE	FILENAME	DWGNO.	REV.
1	MATERIAL	N/A	ANGULAR ± 1°	LINEAR ± .020	DRL	2/17/99	TG-DCC120	1101616	1