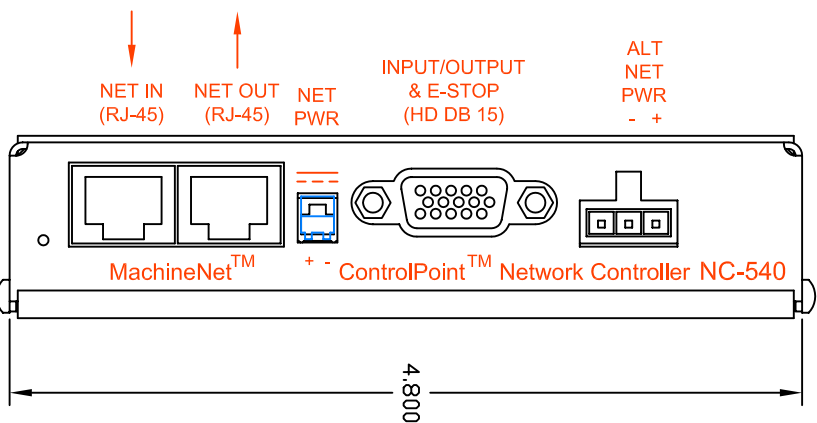
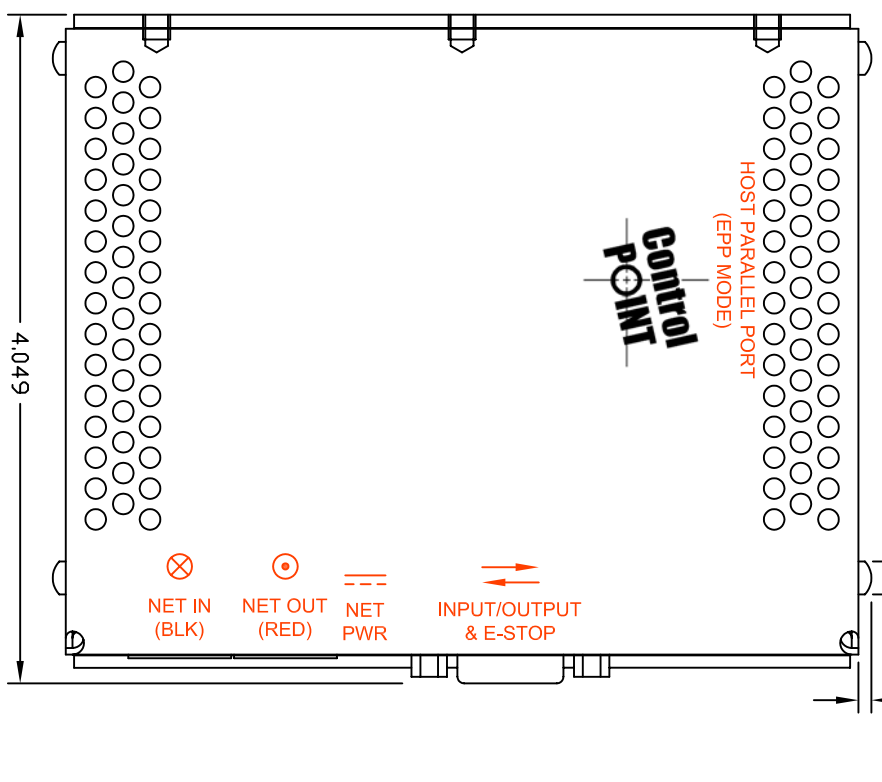
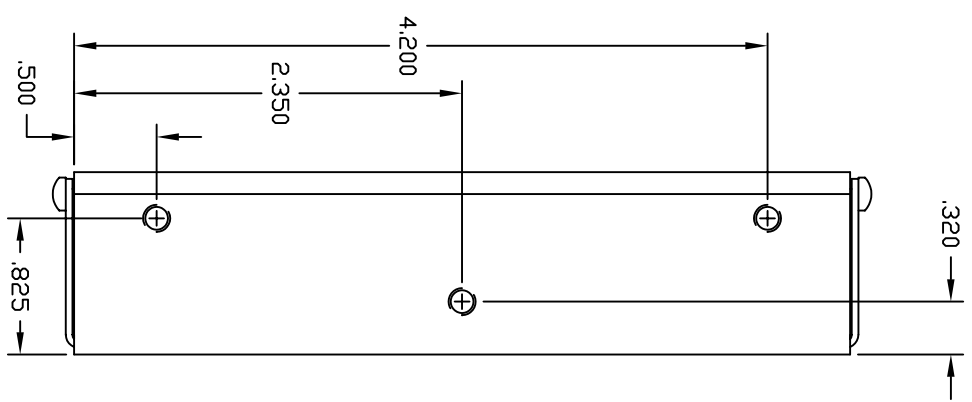
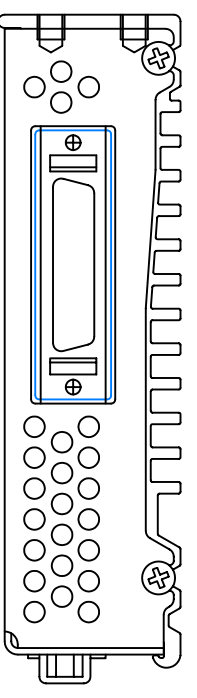


REV	DESCRIPTION/ECD NO.	DATE



Teknic, Inc.

TOLERANCES UNLESS OTHERWISE SPECIFIED: ANGULAR ± 1° LINEAR ± .020	DATE 06/22/99	SCALE NONE	DRAWN BY DRL	MATERIAL	FINISH	REF QTY DESCRIPTION	MFG/PN	REV. A
6	5					DESCRIPTION NC-540 OUTLINE		
						FILENAME NC-540 OUTLINE.DWG	DWGNO.	
								1

A B C D E F

A B C D E F