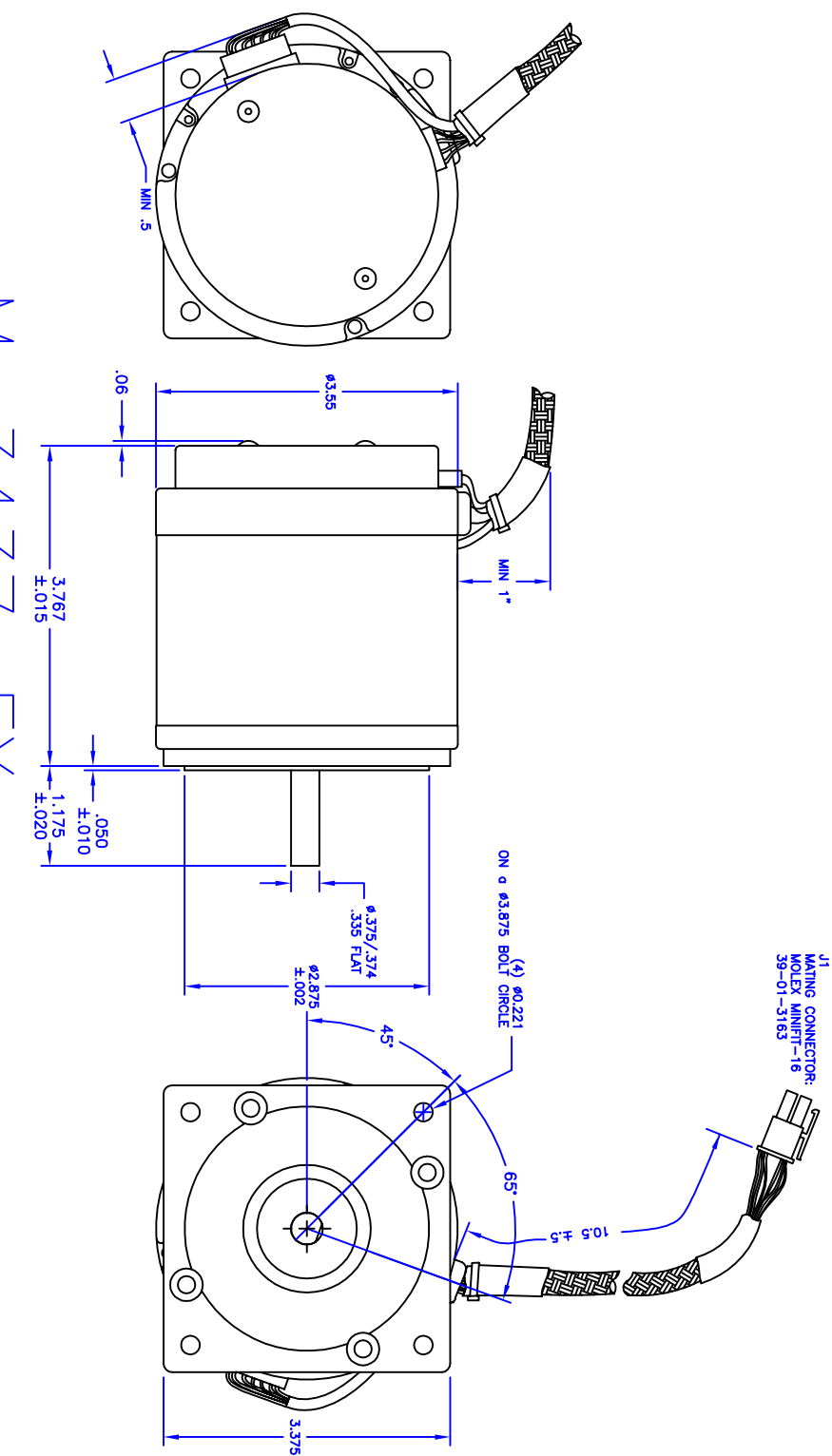


REV.	DESCRIPTION/ECD NO.	DATE
B	CORRECTED DA LENGTH	03/02/01



M-3437-FX

J1 Assignments	PIN	SIGNAL
1	CHASSIS	
2	+5V	
3	COMM-R	
4	COMM-S	
5	COMM-T	
6	GND	
7	GND	
8	NC	
9	Ø-R	
10	Ø-S	
11	Ø-T	
12	+5V	
13	ENC-I	
14	ENC-B	
15	ENC-A	
16	GND	

ALL DIMENSIONS IN INCHES

MATERIAL FINISH N/A TOLERANCES UNLESS OTHERWISE SPECIFIED ANGULAR ± 1° LINEAR ± .020 SCALE NONE DRAWN BY DATE FILENAME DWGNO. REV.

BRUSHLESS MOTOR, NEMA 34, M-3437 400 OZ-IN, FLANGE

Teknic, Inc.
1150-E PITTSFORD-VICTOR ROAD
PITTSFORD, NY 14534

1 2 3 4 5 6