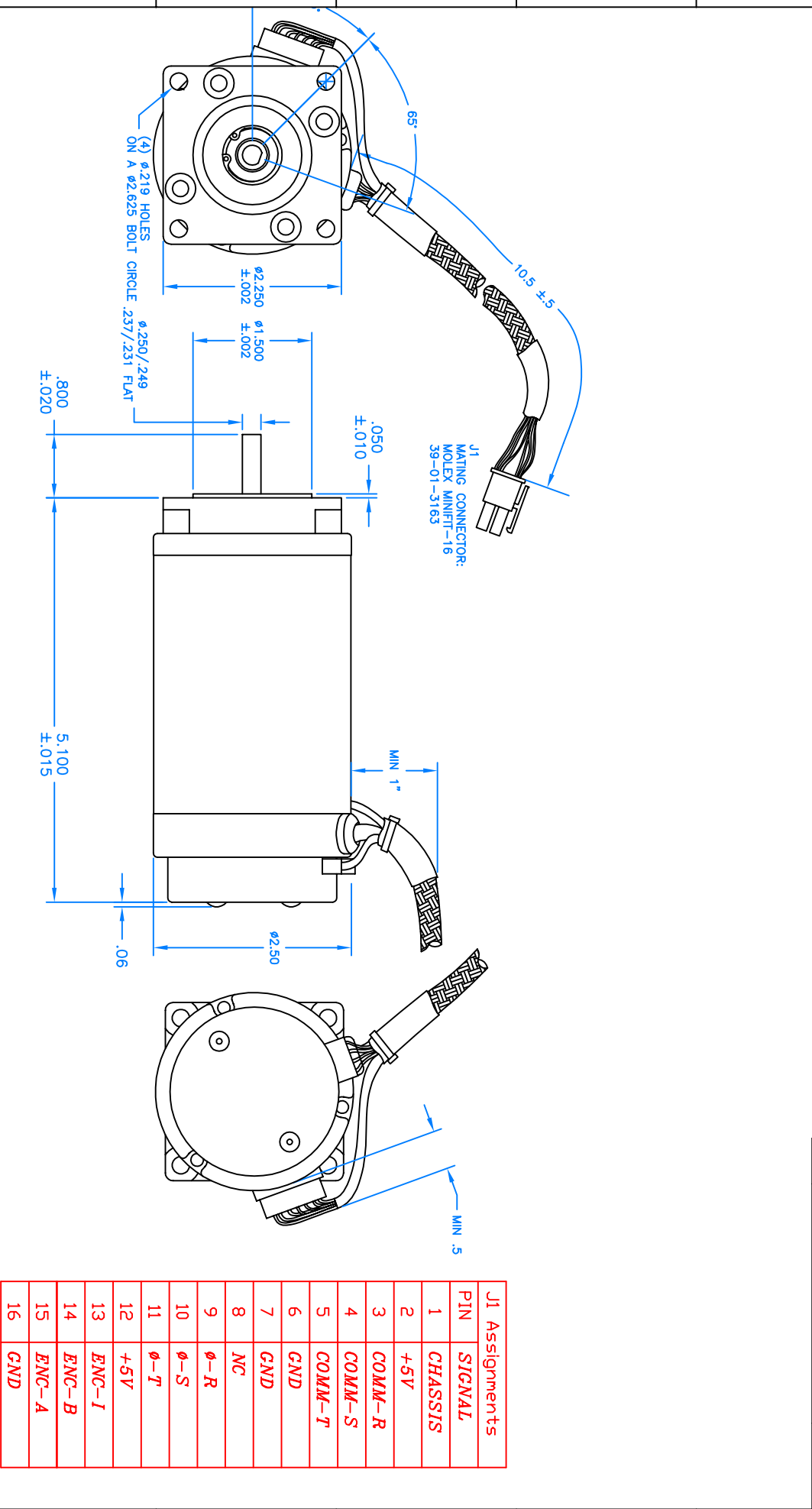


REV.	DESCRIPTION/ECD NO.	DATE
B	CORRECTED SHAFT LENGTH DIMENSION	10/13/00
B	PILOTT FLANGE HGT.	03/02/01



J1 Assignments	
PIN	SIGNAL
1	CHAASSIS
2	+5V
3	COMM-R
4	COMM-S
5	COMM-T
6	GND
7	GND
8	NC
9	ϕ -R
10	ϕ -S
11	ϕ -T
12	+5V
13	ENC-I
14	ENC-B
15	ENC-A
16	GND

M-2348-FX

BRUSHLESS MOTOR, NEMA 23,
M-2348, 300 OZ-IN, FLANGE

Teknic, Inc.
1150-E PITTSFORD-VICTOR ROAD
PITTSFORD, NY 14534

ALL DIMENSIONS IN INCHES	MATERIAL	FINISH	TOLERANCES UNLESS OTHERWISE SPECIFIED ARE:	SCALE	DRAWN BY	DATE	FILENAME	DWGNO.	REV.
	MATERIAL	N/A	ANGULAR $\pm 1^\circ$	NONE	DRL	12/15/98	M-2348 ALL.DWG	2348F	C