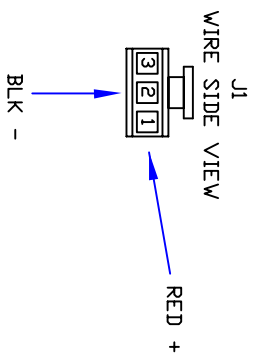
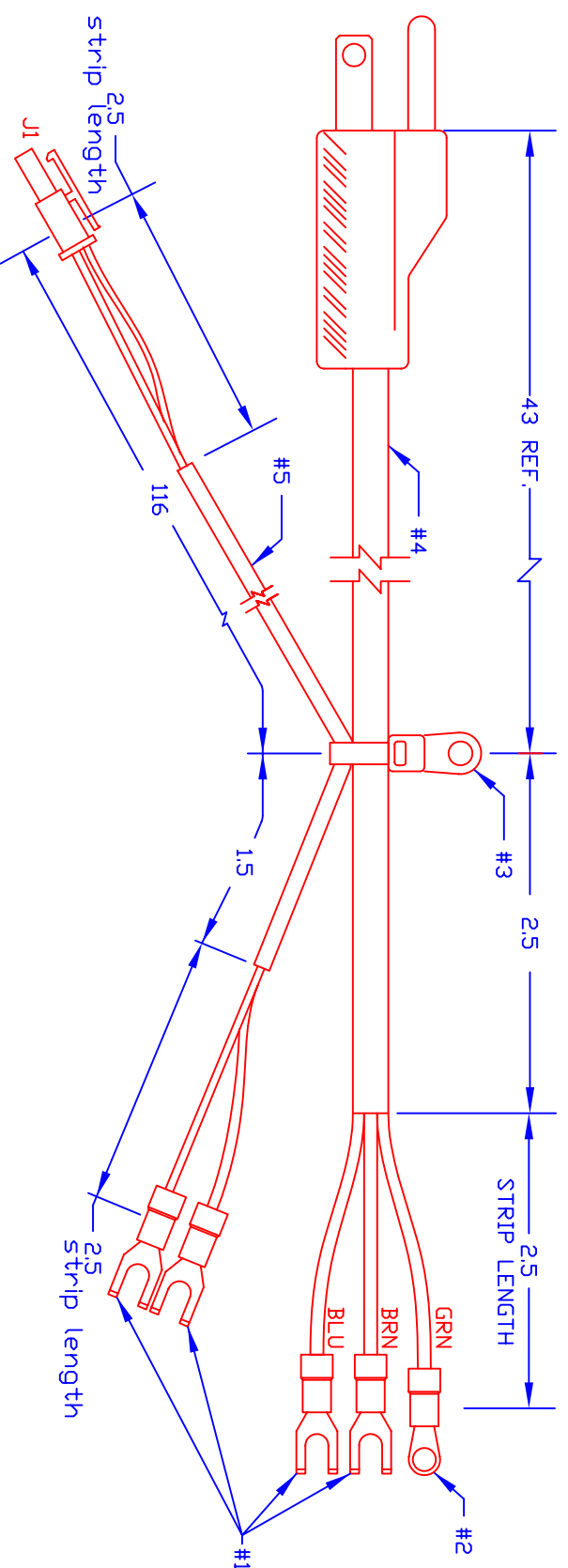


| REV | DESCRIPTION/ECD NO. | DATE |
|-----|--------------------------------|---------|
| B | BDM UPDATE/CORRECTION | 3/10/99 |
| C | UPDATE TERMINAL SYMCHANGE NAME | 2/23/04 |
| D | CHANGE CABLE #5 TO 18 AWG | 6/21/04 |
| E | CHANGE J1 GND TO PIN 2 | 7/15/04 |



BILL OF MATERIALS

| REF | QTY | DESCRIPTION | MFG/P/N |
|-----|-----|--|-----------------------|
| 5 | 1 | CABLE, 2 COND, 18 AWG, FEP/PVC | BEIDEN/82740 |
| 4 | 4 | CABLE, LINE CORD CUT TO 48" | BEIDEN/17534 |
| 3 | 1 | CLAMP/CABLE TIE | PANDUIT/PLC1S1-S8-C |
| 2 | 1 | TERMINAL, RING, #6 FOR 22-16 AWG | AMP/32947 (CLOSED) |
| 1 | 4 | TERMINAL, FLANGED SPADE #6 FOR 22-16 AWG | AMP/2-32947-1 (REEL) |
| J1 | 1 | TERMINAL, SOCKET, 18-24 AWG | AMP/322249 (CLOSED) |
| J1 | 2 | TERMINAL, SOCKET, 18-24 AWG | AMP/1-322249-1 (REEL) |
| J1 | 1 | HOUSING, 3 COND | MOLEX/39-00-0038 |
| J1 | 1 | HOUSING, 3 COND | MOLEX/39-00-0039 |
| J1 | 1 | HOUSING, 3 COND | MOLEX/39-01-4030 |

Teknic, Inc.

DESCRIPTION
CABLE, MNET NC POWER

| FILENAME | DWG. NO. | REV. |
|------------------------|--------------------|------|
| CP-MN2PS40-APCrevE.DWG | CP-MN2PS40-APC.DWG | E |

| TOLERANCES UNLESS OTHERWISE SPECIFIED | DATE | SCALE | DRAWN BY | MATERIAL | FINISH |
|---------------------------------------|----------|-------|----------|----------|--------|
| ANGULAR ± 1° | 02/11/03 | NONE | DRL | SEE BDM | N/A |
| LINEAR ± .020 | | | | | |