

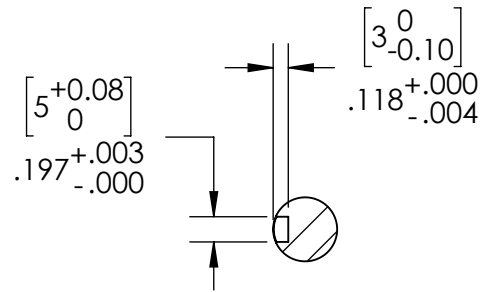
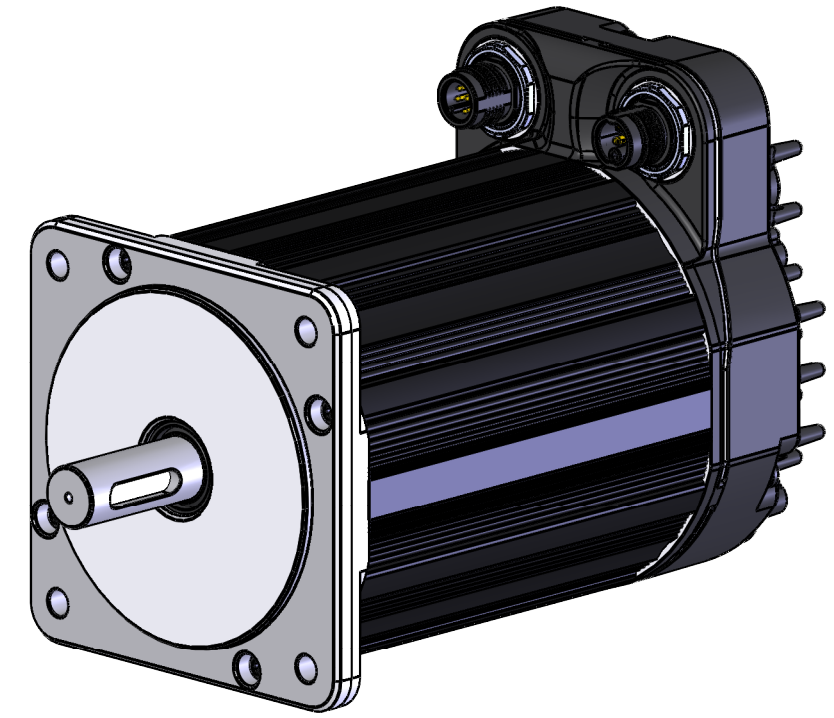
Teknic ClearPath[®] - IP66K/IP67

Fractional HP, DC Input

NEMA 34

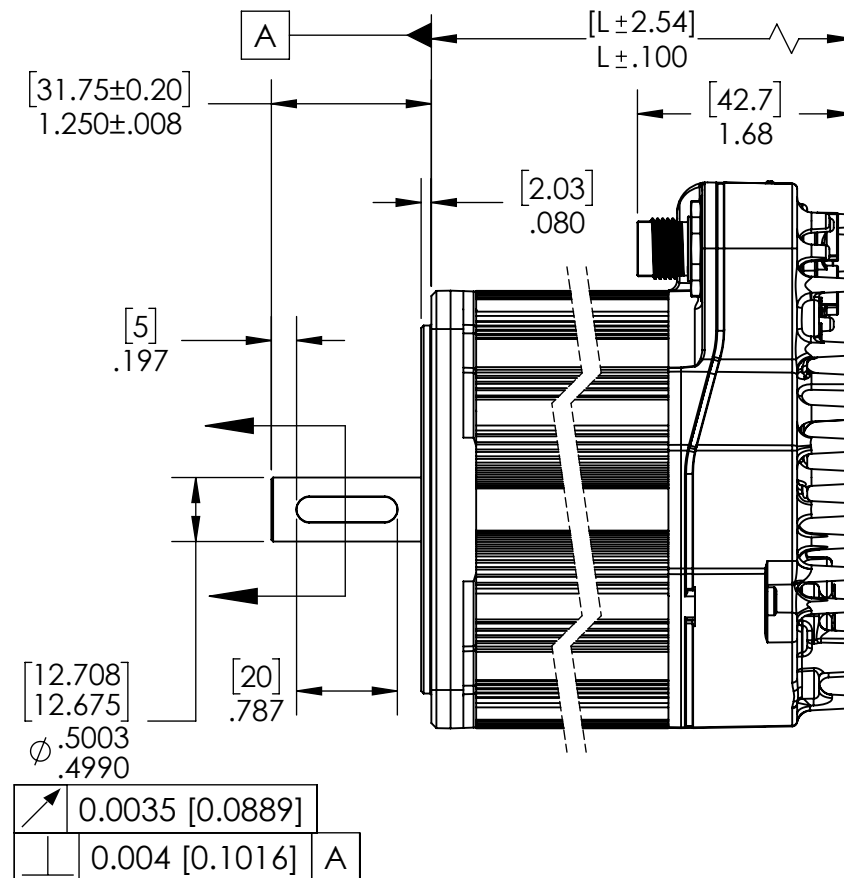
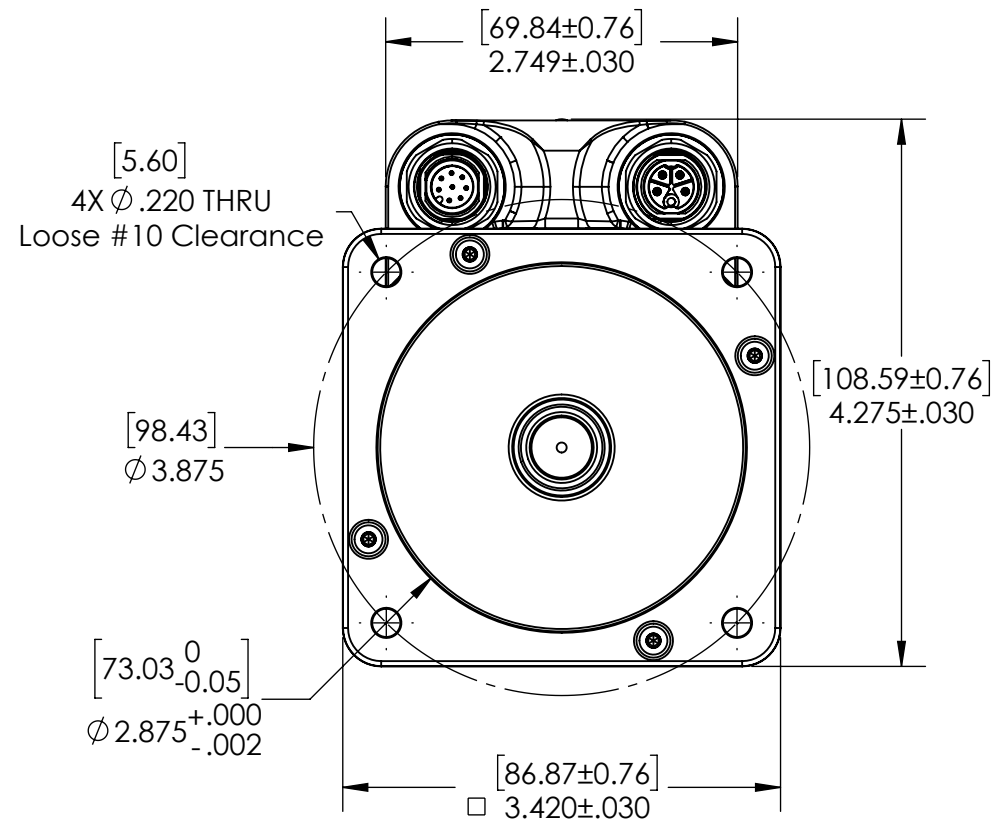
All dimensions are in inch [mm] unless otherwise noted.
Sheet Scale 2:3

Unless otherwise specified, untoleranced dimensions default to:
X.XX: ± 0.010" [.25mm]
X.XXX: ± 0.005" [.125mm]

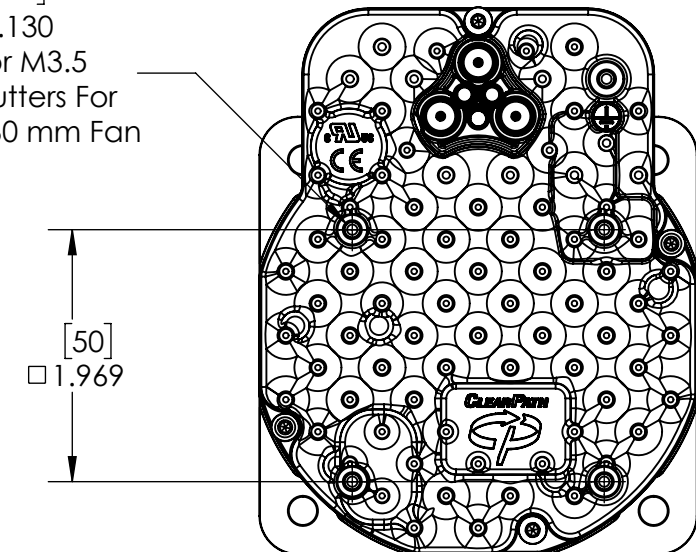


Shaft Keyway Section

Model Number	L
CPM-____-341__-__	3.323 [84.41]
CPM-____-342__-__	4.064 [103.23]
CPM-____-343__-__	4.812 [122.23]
CPM-____-344__-__	5.567 [141.41]



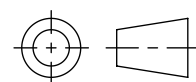
$[3.29]$
 4X $\phi .130$
 For #6 or M3.5
 Thread-Cutters For
 mounting 60 mm Fan



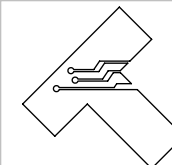
Teknic, Incorporated

Victor, NY 14564 USA

This document and related electronic files are the sole property of Teknic, Incorporated and contain proprietary information.



Third-Angle Projection



Additional documentation including product specifications, up-to-date compliance information, and manuals can be downloaded from Teknic's website.

Visit <https://www.teknic.com/> to access that documentation.

DWG. NO./REV

D1230/B

TITLE: 34xx ClearPath IP66K/IP67 Motor Family

1

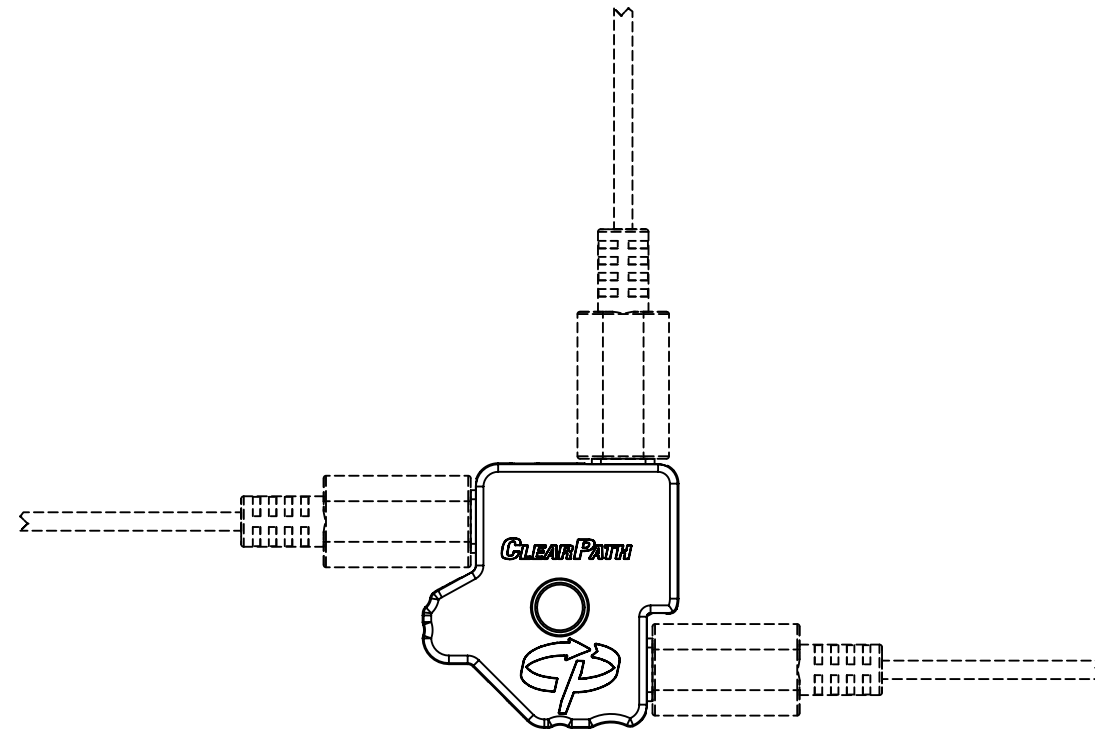
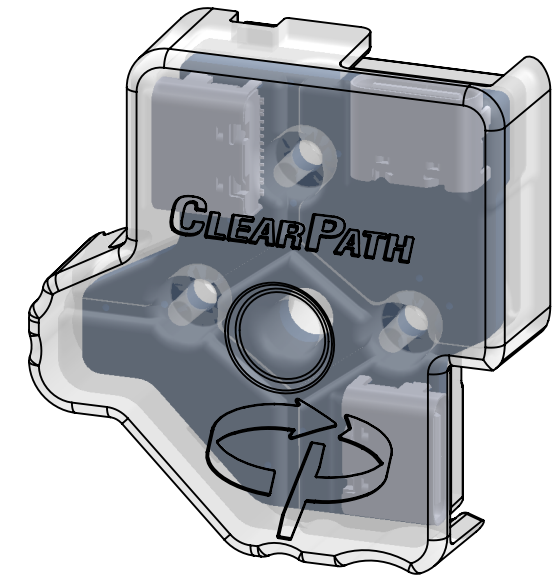
of 3
Sheets

USB-IR Converter

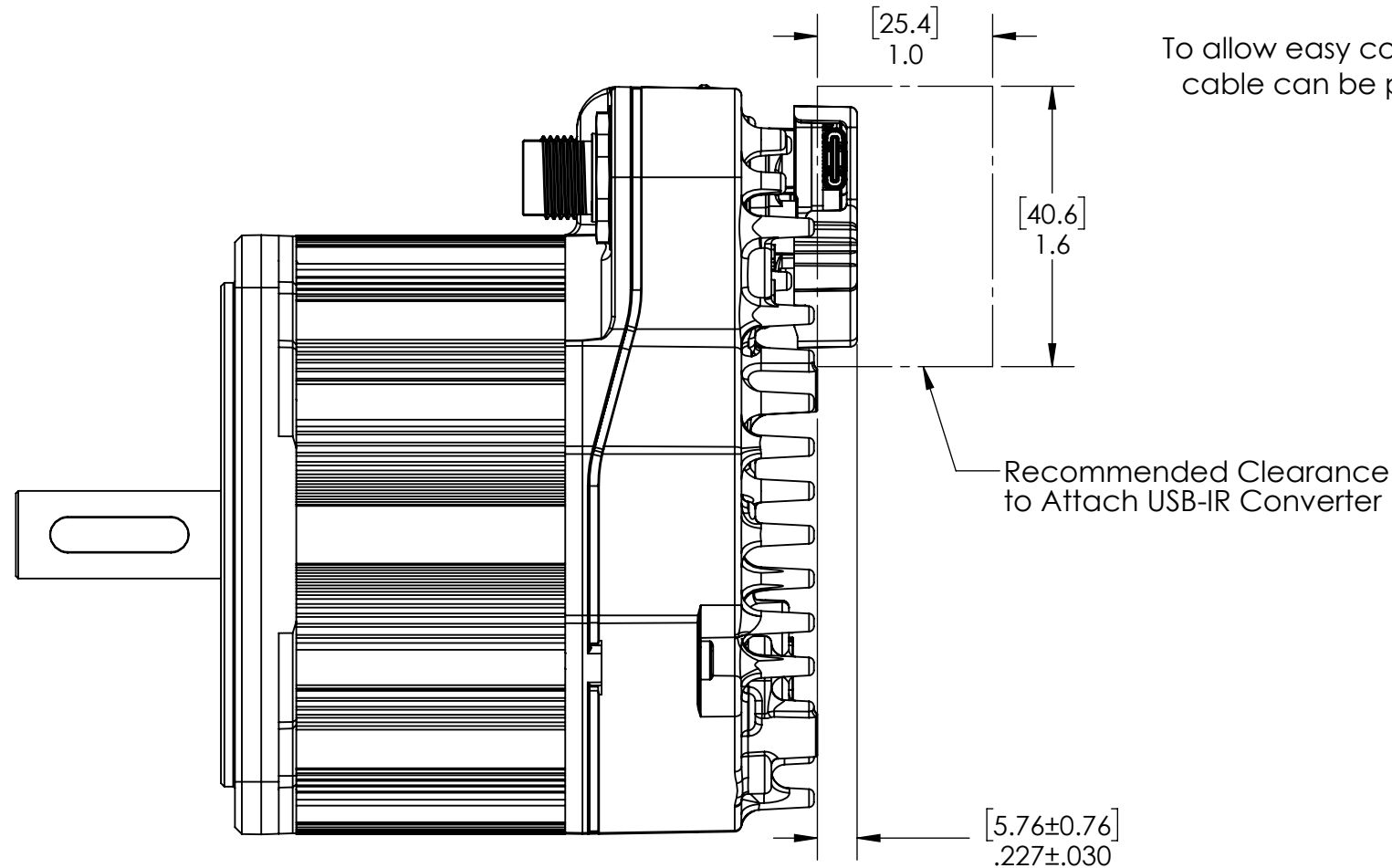
P/N: CPMS-USB-IR

All dimensions are in inch [mm] unless otherwise noted.
Sheet Scale 2:1

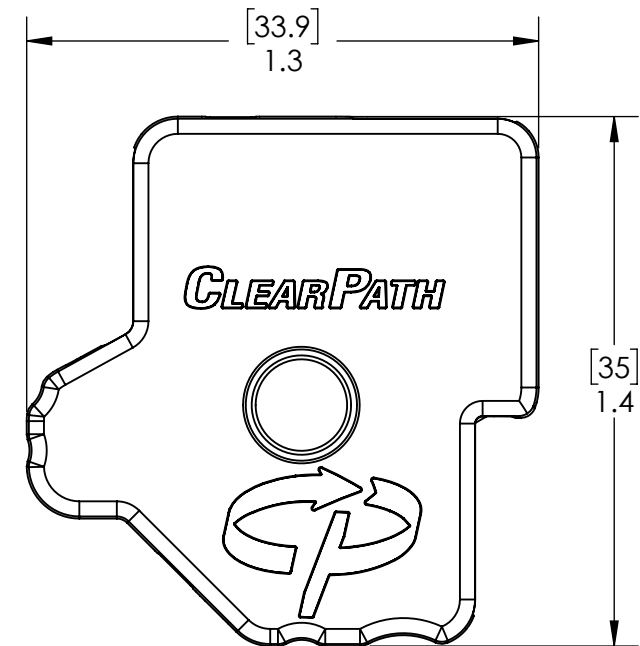
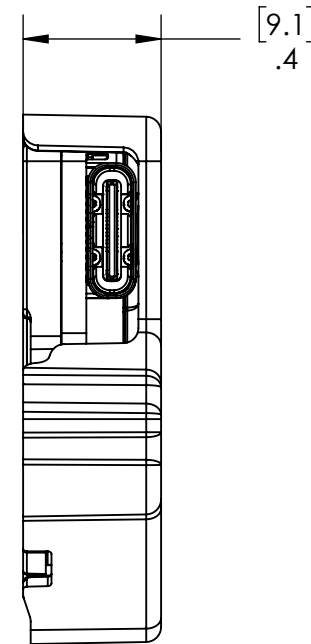
Unless otherwise specified, untoleranced dimensions default to:
X.X: ± 0.020" [.5mm]
X.XX: ± 0.010" [.25mm]



To allow easy connection in multiple orientations, a USB-C cable can be plugged into any one of three locations.
(Cables not Included)
Scale 1:1



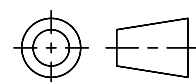
341 Motor For Reference
Scale 1:1



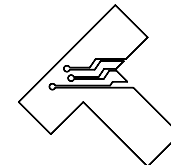
Teknic, Incorporated

Victor, NY 14564 USA

This document and related electronic files are the sole property of Teknic, Incorporated and contain proprietary information.



Third-Angle Projection



Additional documentation including product specifications, up-to-date compliance information, and manuals can be downloaded from Teknic's website.

Visit <https://www.teknic.com/> to access that documentation.

DWG. NO./REV

D1230/B

TITLE: 34xx ClearPath IP66K/IP67 Motor Family

2

of 3
Sheets

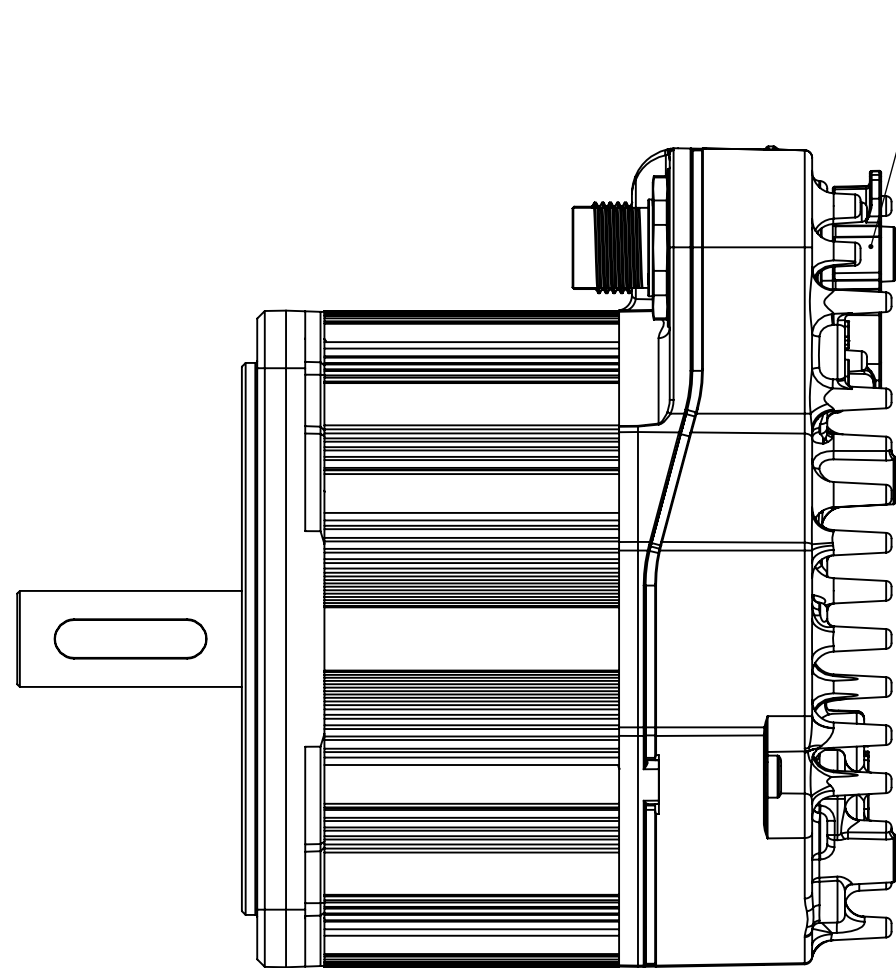
USB-IR Port Cover

P/N: CPM-COVER-USB-5PC

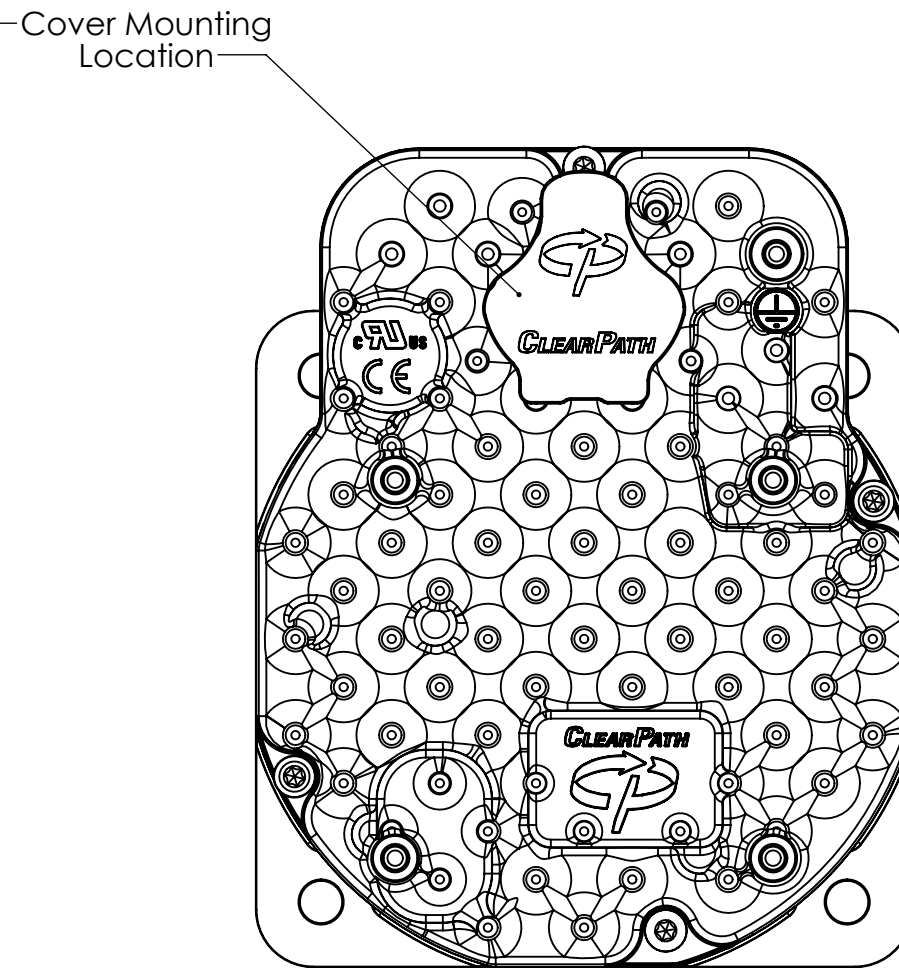
Package of five (5) covers.

All dimensions are in mm [inch] unless otherwise noted.
Sheet Scale 2:1

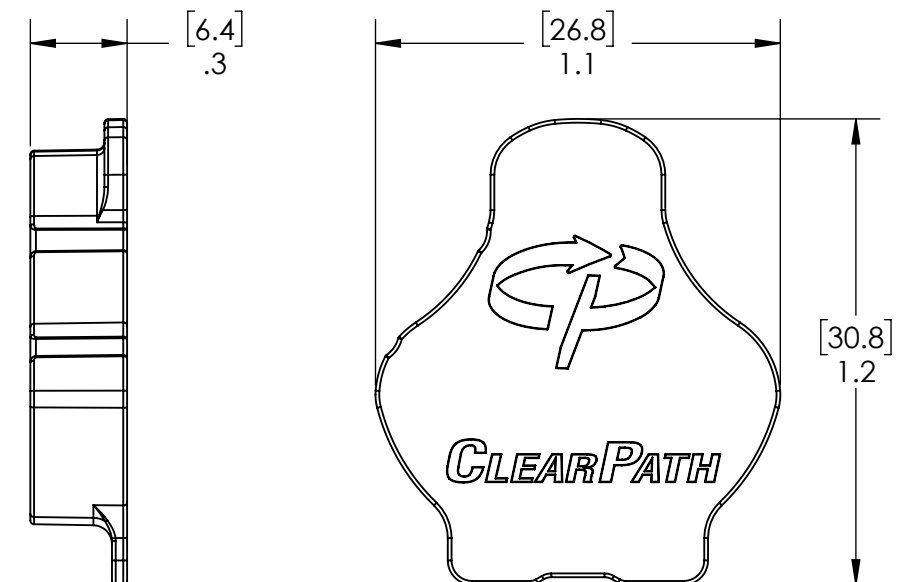
Unless otherwise specified, untoleranced dimensions default to:
X.X: ± 0.020" [.5mm]
X.XX: ± 0.010" [.25mm]



341 Motor For Reference
Scale 1:1



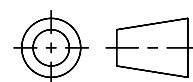
341 Motor For Reference
Scale 1:1



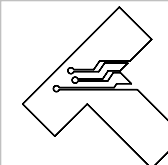
Teknic, Incorporated

Victor, NY 14564 USA

This document and related electronic files are the sole property of Teknic, Incorporated and contain proprietary information.



Third-Angle Projection



Additional documentation including product specifications, up-to-date compliance information, and manuals can be downloaded from Teknic's website.

Visit <https://www.teknic.com/> to access that documentation.

DWG. NO./REV

D1230/B

TITLE: 34xx ClearPath IP66K/IP67 Motor Family

3

of 3
Sheets